

INTELLIGENT. COMPACT. SELF-POWERED BY VOLTAGE.

CMR compact modular recloser

Providing low cost of ownership for sites requiring fundamental protection and switching applications.
usa.siemens.com/cmrecloser

The CMR approaches overhead distribution protection in a new way. Its unique design provides fundamental protection and monitoring capabilities for multi-phase recloser applications. Without requiring auxiliary power supply, it is suitable for urban and rural networks. The system features an integrated controller in the pole-top switch, eliminating the need for a separate control cubicle and associated cabling. Intuitive configuration, installation, operation and wireless access ensure maximum operator safety and usability. Fully rated for voltage systems up to 27 kV, the CMR is designed to deliver a 25-year uninterrupted service life¹. This electronically controlled recloser presents as one of the most economical options on the market.

Fully integrated self-powered system:

- Power supply using line voltage
- Rechargeable battery for back-up power
- Magnetic-actuated vacuum interrupter
- Integrated protection relay and control
- Multi-phase soft ganging without time delay.

Intelligent:

- Wireless connectivity
- Simple and intuitive configuration tools
- GPS time reference
- Voltage and current measurement
- Fault-passage indication (FPI)
- Comprehensive event log
- Full range of TCC curves
- SCADA capability (future, with addition of pole-mounted remote control unit).

Compact:

- Lightweight: 187 lbs (85 kg) (three-phase models)
- Simple and quick to install.

This clever, fully integrated system makes pole-mounted control cabinets, connecting cables and auxiliary supplied obsolete; resulting in lower investment cost and a faster return on investment.



SIEMENS

Compact modular recloser ratings

Type tested according to IEC 62271-111 / IEEE C37.60

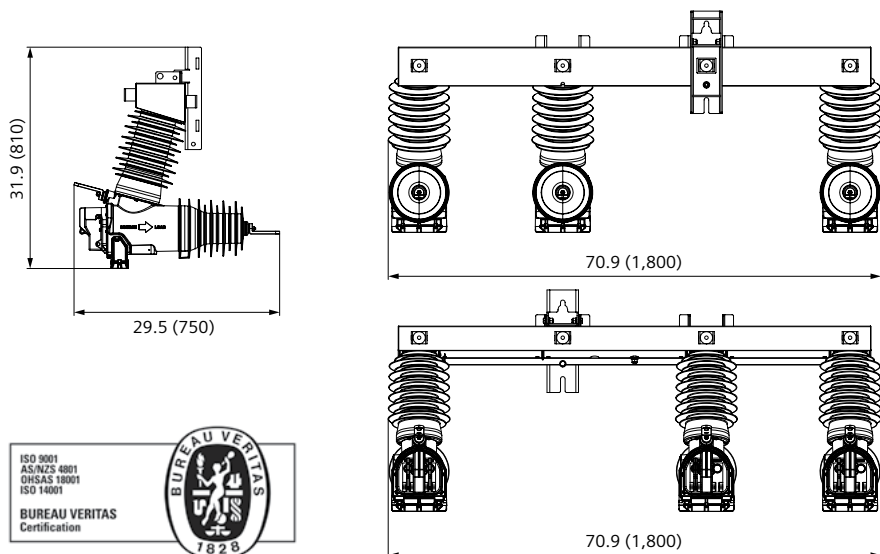
Rating description					Model ¹
Rated maximum voltage	kV	12	17.5	27	27
Rated power-frequency withstand – dry	kV	28	50	60	60
Rated impulse-withstand voltage	kV	95	110	125	150

Switch unit parameters		Rating
Rated frequency	Hz	50/60
Rated continuous current	A	630 (800 ³)
Rated short-time withstand current	kA	12.5
Rated peak-withstand current	kA	32.5
Rated duration of short circuit	s	3
Rated symmetrical interrupting current	kA	12.5
Rated symmetrical fault-making current	kA	12.5
Rated operating sequence		0 – 0.3 s – CO – 2 s – CO – 2 s – CO
Clearing time	ms	<50 ms
Rated line-charging interrupting current	A	5
Rated cable-charging interrupting current	A	25
Minimum number of operations at rated short-circuit current		70
Minimum number of load-break operations at rated current/mechanical operations		10,000
IP rating		67

Service environment	Rating
Operating temperature range	-40 ⁴ to + 131 °F (-40 ⁴ to +55 °C)
Humidity	0 to 100%
Maximum altitude	13,123 ft ⁵ (4,000 m) ⁵
Pollution class	Very heavy

Footnotes:

1. Excludes routine battery replacements every eight years.
2. Correct model must be selected for the applicable system voltage (27 kV model cannot be used on a 12 kV network).
3. Applicable with maximum temperature of 104 °F (40 °C).
4. Reclose intervals must be extended at temperatures below -31 °F (-35 °C).
5. De-rating required above 3,280 ft (1,000 m).



Dimensions in inches (mm)

Legal Manufacturer

Siemens Industry, Inc.
99 Bolton Sullivan Drive
Heber Springs, Arkansas 72543
United States of America

Telephone: +1 (800) 347-6659
www.usa.siemens.com/cmrrrecloser

Order No. SIDS-B40177-01-4AUS
© 11.2021, Siemens Industry, Inc.

This document contains a general description of available technical options only, and its effectiveness will be subject to specific variables including field conditions and project parameters. Siemens does not make representations, warranties, or assurances as to the accuracy or completeness of the content contained herein. Siemens reserves the right to modify the technology and product specifications in its sole discretion without advance notice.