

Confliè a titre de secret d'entreprise. Tous droits réservés.
 Comunicado como segredo empresarial. Reservados todos os direitos.
 Confiado como secreto industrial. Nos reservamos todos los derechos.

Als Betriebsgeheimnis anvertraut. Alle Rechte vorbehalten.
 Proprietary data, company confidential. All rights reserved.

REV	DESCRIPTION	DATE	BY	APPR
A	Initial release of expanded RCU	6/04/22	MHH	
B	Added page 3 for int. dims	22/11/22	MHH	SP

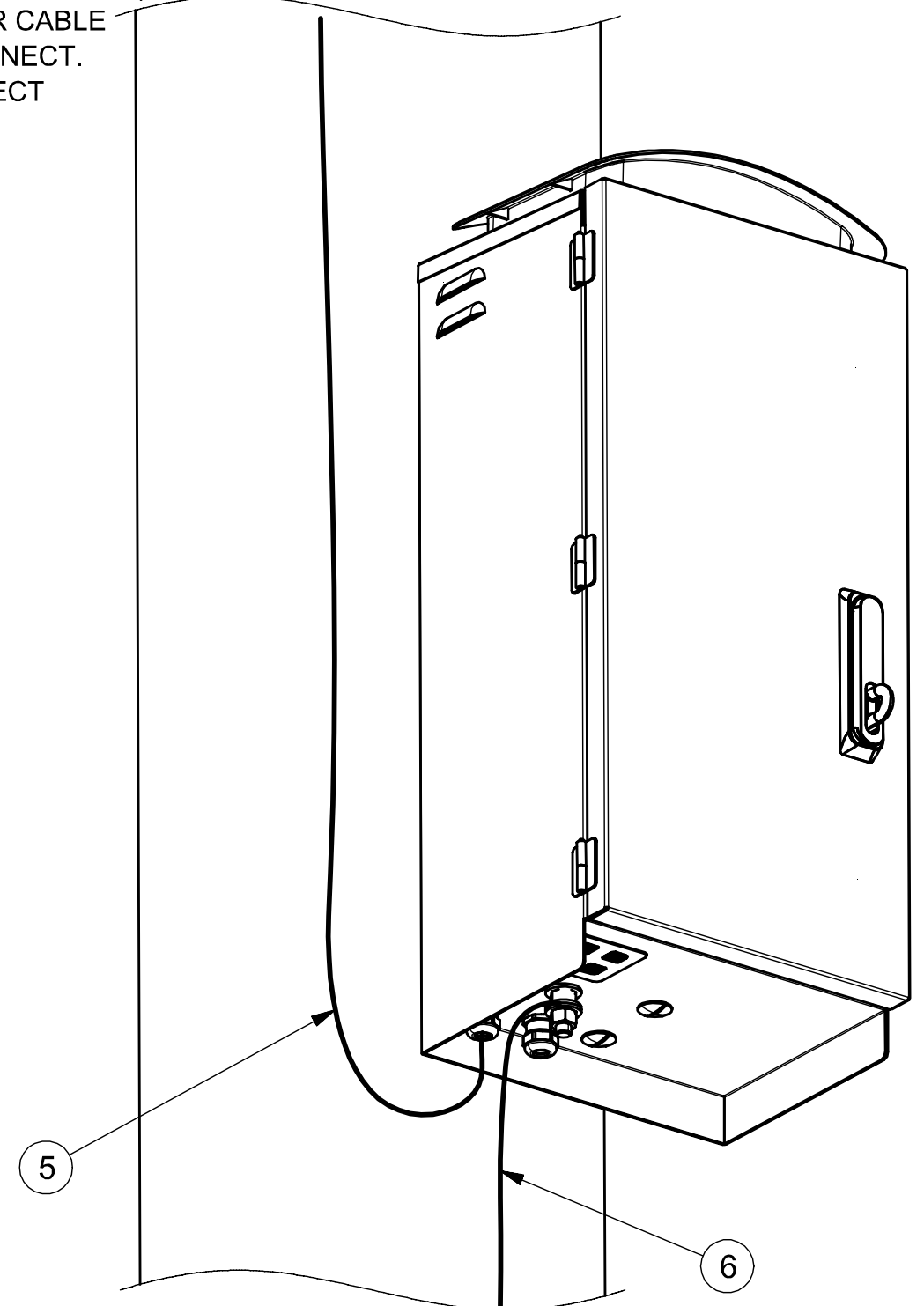
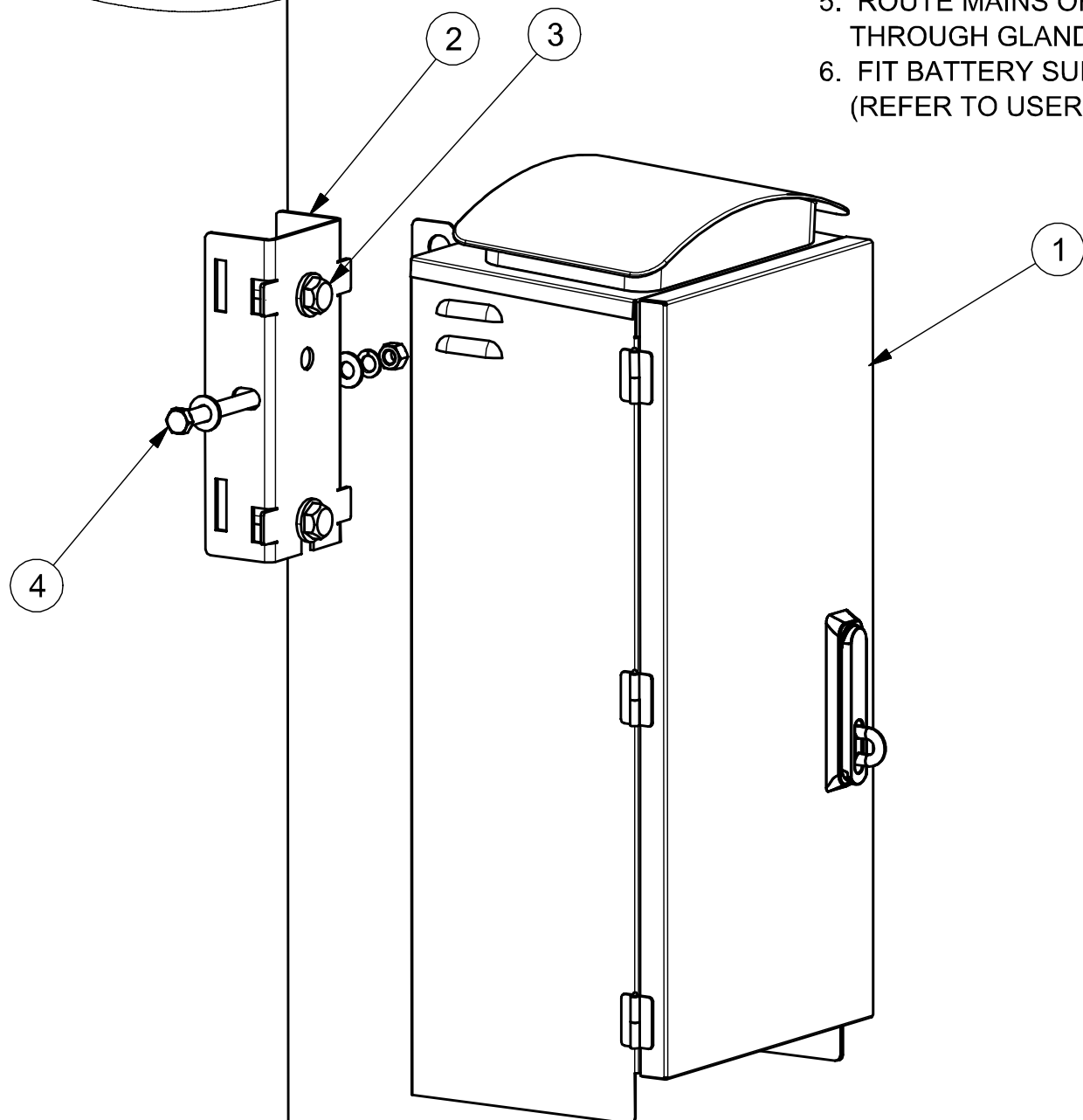
INSTALLATION NOTE:

RCU TO BE MOUNTED ON SOUTHERN SIDE OF POLE IN SOUTHERN HEMISPHERE WHERE POSSIBLE. MOUNT ON NORTHERN SIDE OF POLE IN NORTHERN HEMISPHERE.

ASSEMBLY INSTRUCTIONS:

1. UNPACK CARTON.
2. FASTEN POLE MOUNT BRACKET (1151-1011) TO POLE WITH M16 BOLTS OR STRAPPING.
3. REST RCU ENCLOSURE OVER POLE MOUNT BRACKET EARS AND SECURE WITH M12 BOLT.
4. CONNECT AN EARTH WIRE TO EXTERNAL STUD IN RCU BASE.(WIRE NOT SUPPLIED, REFER TO USER MANUAL FOR WIRE SIZING).
5. ROUTE MAINS OR SOLAR POWER CABLE THROUGH GLAND IN BASE & CONNECT.
6. FIT BATTERY SUPPLIED & CONNECT (REFER TO USER MANUAL)

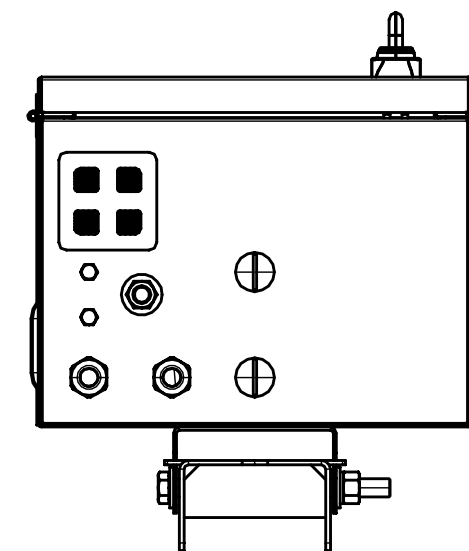
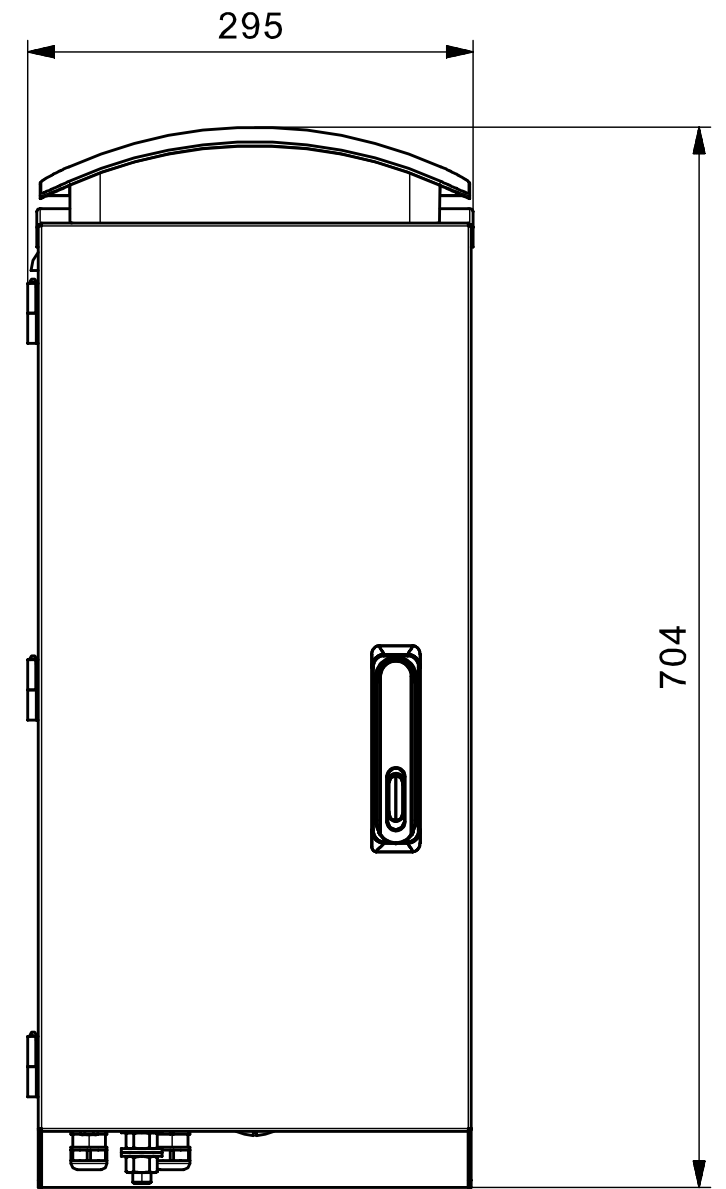
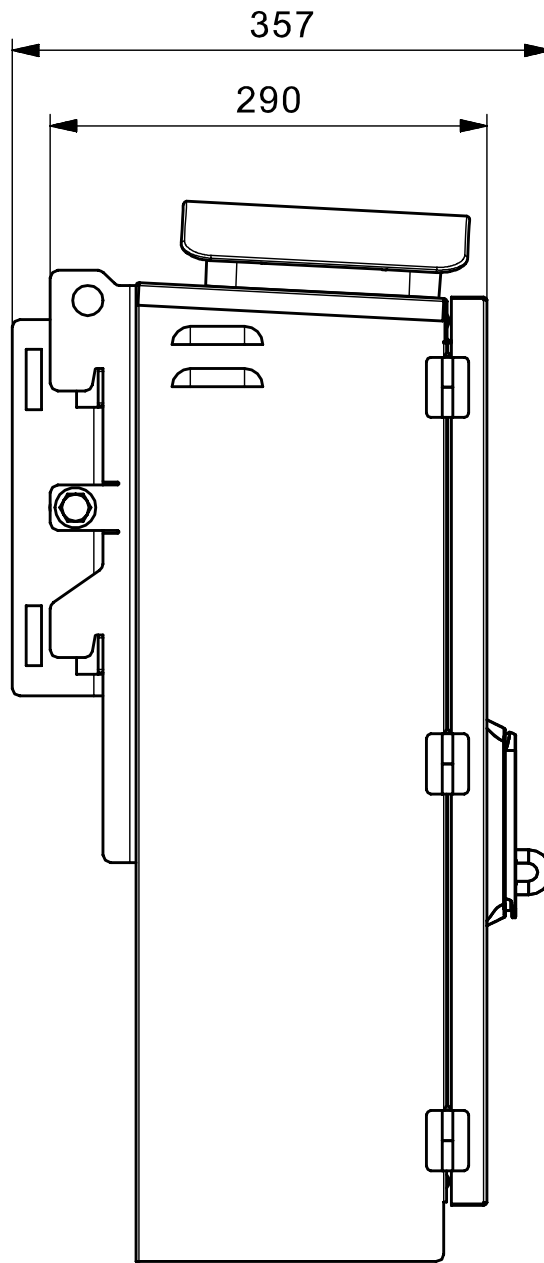
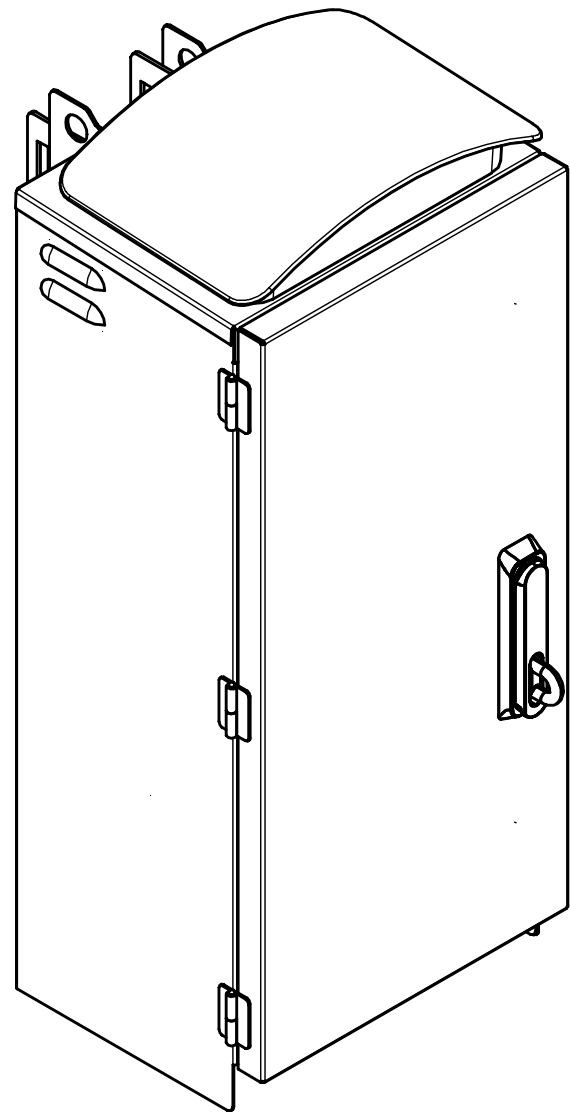
ITEM NO.	PART NO.	DESCRIPTION	QTY
1	3AD8800-0B	Remote Control Unit	1
2	1151-1011	Pole Mounting Bracket	1
3		M16 Hex Bolt at req'd length with Washers & Nut	2
4		M12x150 Hex Bolt with Washers & Nut	1
5		Mains/Solar Cable	1
6		Earth Cable	1



Tolerance Toleranz (ISO) <input type="checkbox"/>	Material;Werkstoff <input type="checkbox"/>		Mass Masse kg: <input type="checkbox"/> lb: <input type="checkbox"/>	Papersize Format <input type="checkbox"/>	22/11/2022	MHH	Date Datum <input checked="" type="checkbox"/>	Designation Benennung Remote Control Unit	ISO-Proj.
	Material No. 1/Nr.1 <input type="checkbox"/>		Unit;Einheit Millimeters		Scale Massstab 1:5		Name Name M.HARBER	Department Abteilung SI EA R&D	Page Blatt 1+
Material No. 2/Nr.2 <input type="checkbox"/>		Released Freigabe			<input checked="" type="checkbox"/>	B	Location Standort AU YAT	Itemnumber;Sachnummer <input checked="" type="checkbox"/> 3AD8800-0B	
					Mod./Ref.-No. Aend.-Vorg.-Nr.	Revision Revision	SIEMENS		

Confliè a titre de secret d'enterprise. Tous droits reserves.
 Comunicado como segredo empresarial. Reservados todos os direitos.
 Confiado como secreta intusrial. Nos reservamos todos los derechos.

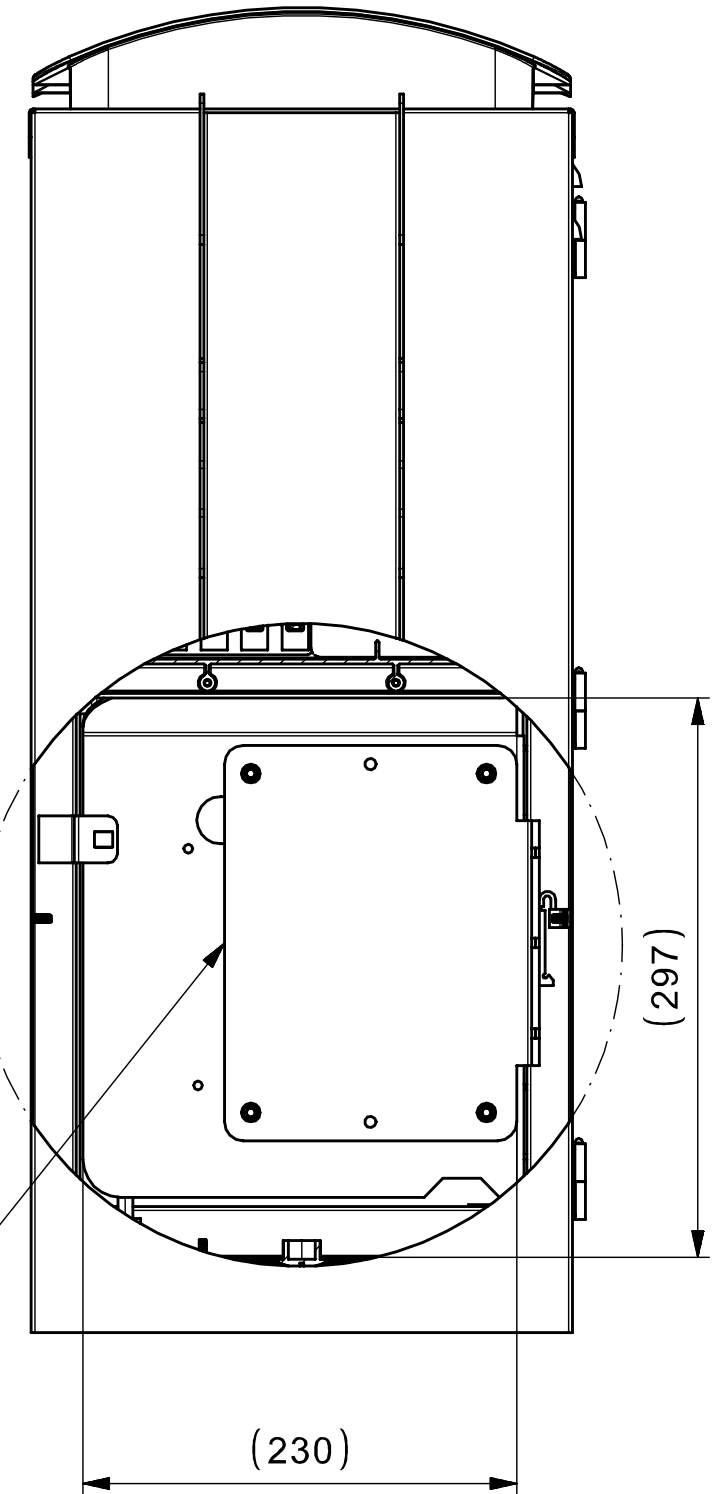
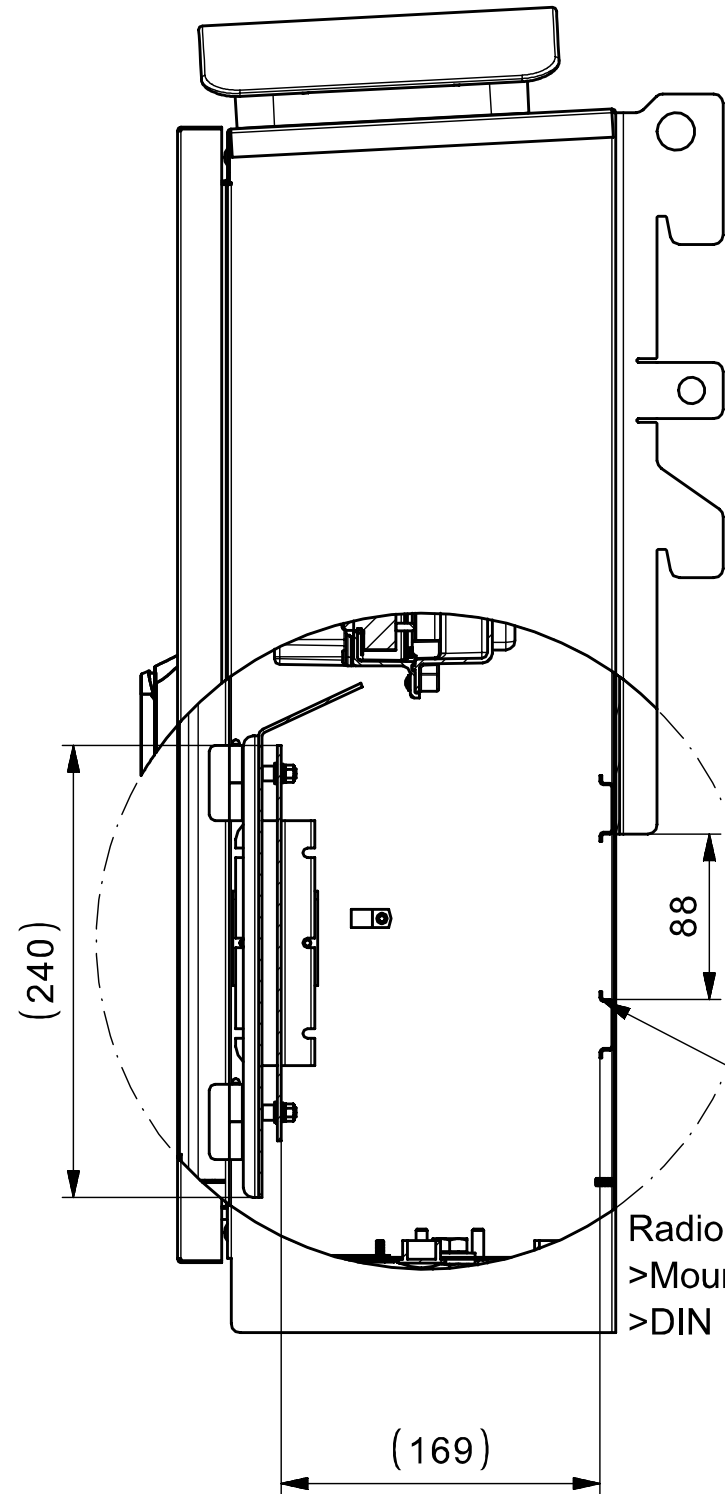
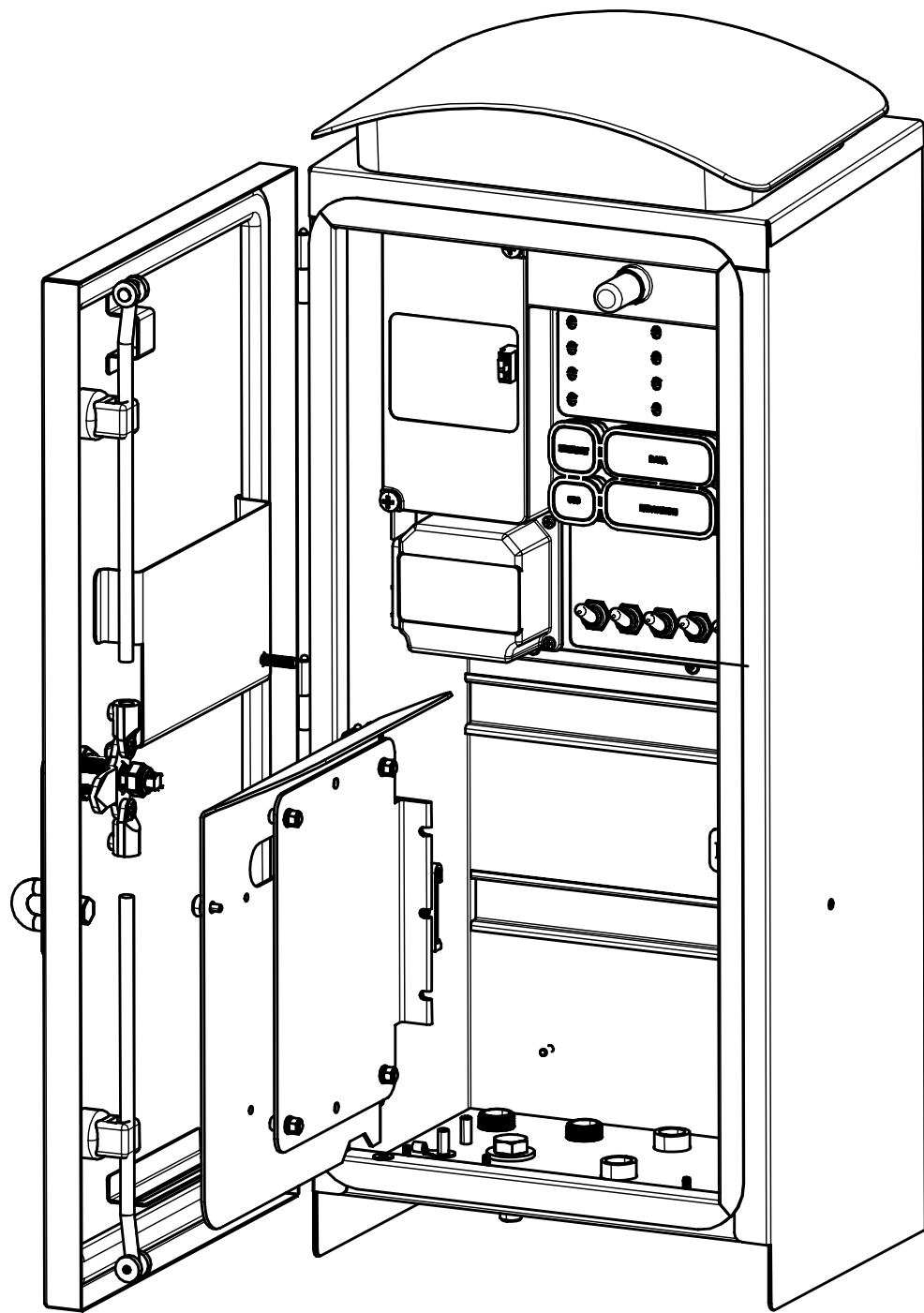
Als Betriebsgeheimnis anvertraut. Alle Rechte vorbehalten.
 Proprietary data, company confidential. All rights reserved.



Tolerance Toleranz (ISO) <input type="checkbox"/> <input type="checkbox"/> <input type="checkbox"/> <input type="checkbox"/>	Material;Werkstoff <input type="checkbox"/>		Mass Masse kg: <input type="checkbox"/> lb: <input type="checkbox"/> Unit;Einheit Millimeters	Papersize Format <input type="checkbox"/> Scale Masstab 1:5 Released Freigabe	22/11/2022 Date Datum <input type="checkbox"/> Mod./Ref.-No. Aend.-Vorg.-Nr.	MHH Name Name B Revision Revision	Date Datum <input type="checkbox"/> Name Name M.HARBER Department Abteilung SI EA R&D Location Standort AU YAT SIEMENS	Designation Benennung Remote Control Unit Itemnumber;Sachnummer <input type="checkbox"/> 3AD8800-0B	ISO-Proj. Page Blatt 2+
	Material No.1/Nr.1 <input type="checkbox"/>		Material No.2/Nr.2 <input type="checkbox"/>		<input type="checkbox"/>				

Confliè a titre de secret d'entreprise. Tous droits reserves.
 Comunicado como segredo empresarial. Reservados todos os direitos.
 Confiado como secreto industrial. Nos reservamos todos los derechos.

Als Betriebsgeheimnis anvertraut. Alle Rechte vorbehalten.
 Proprietary data, company confidential. All rights reserved.



Radio Fitment Options:
 >Mount Plate
 >DIN Rail

USER ACCESSORY COMPARTMENT

Tolerance Toleranz (ISO) <input type="checkbox"/> <input type="checkbox"/> <input type="checkbox"/> <input type="checkbox"/>	Material;Werkstoff		Mass Masse kg: <input type="checkbox"/> lb: <input type="checkbox"/> Unit;Einheit Millimeters	Papersize Format <input type="checkbox"/> Scale Masstab 1:5 Released Freigabe	22/11/2022 Date Datum <input type="checkbox"/> MHH Name Name B Mod./Ref-No. Aend.-Vorg.-Nr.	<input checked="" type="checkbox"/> Date Datum M.HARBER Name Name SI EA R&D Department Abteilung AU YAT Location Standort SIEMENS	Designation Benennung Remote Control Unit Itemnumber;Sachnummer <input checked="" type="checkbox"/> 3AD8800-0B	ISO-Proj. Page Blatt 3-
	Material No.1/Nr.1		Material No.2/Nr.2					
	<input type="checkbox"/>		<input type="checkbox"/>					
	<input type="checkbox"/>		<input type="checkbox"/>					